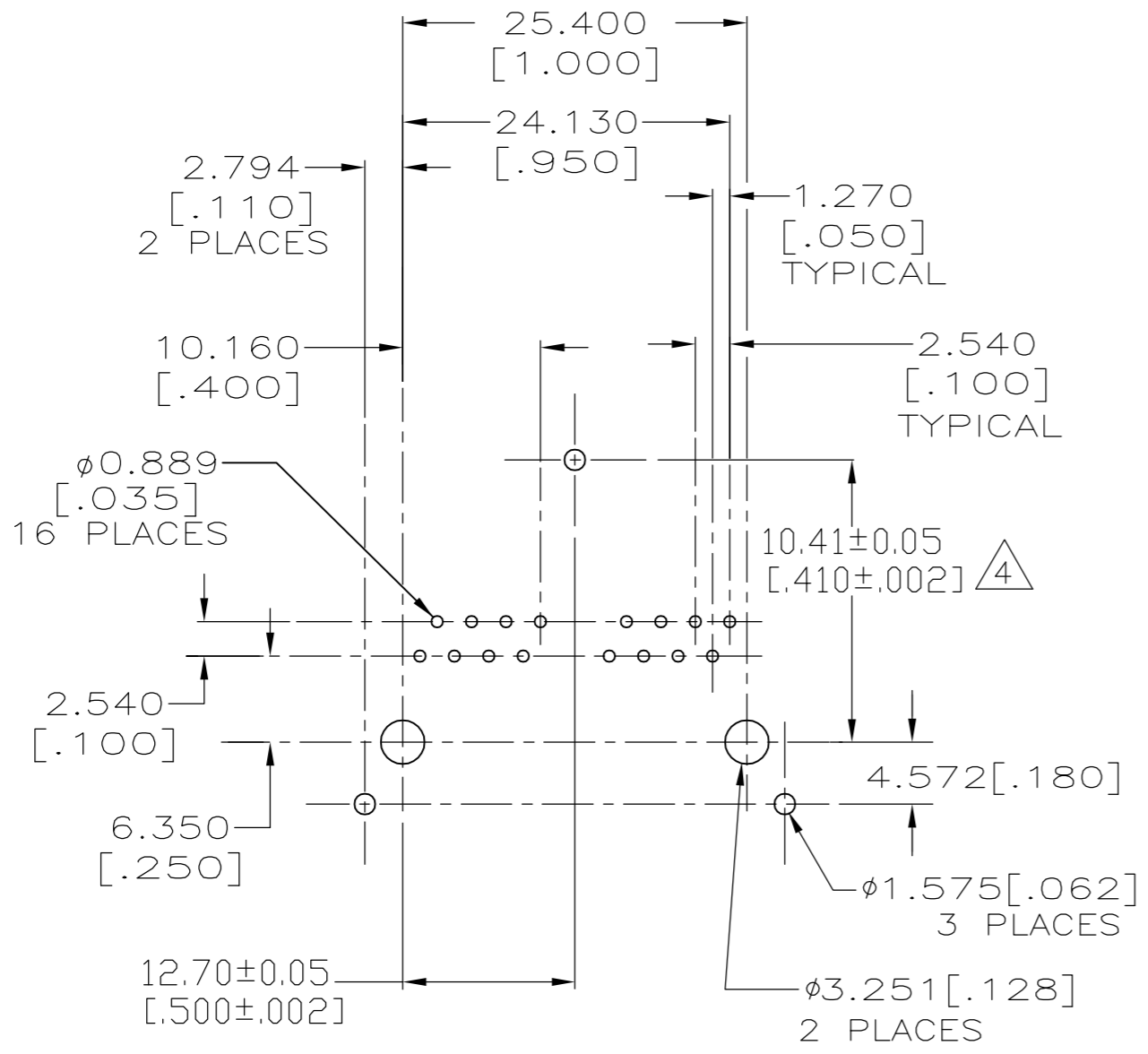
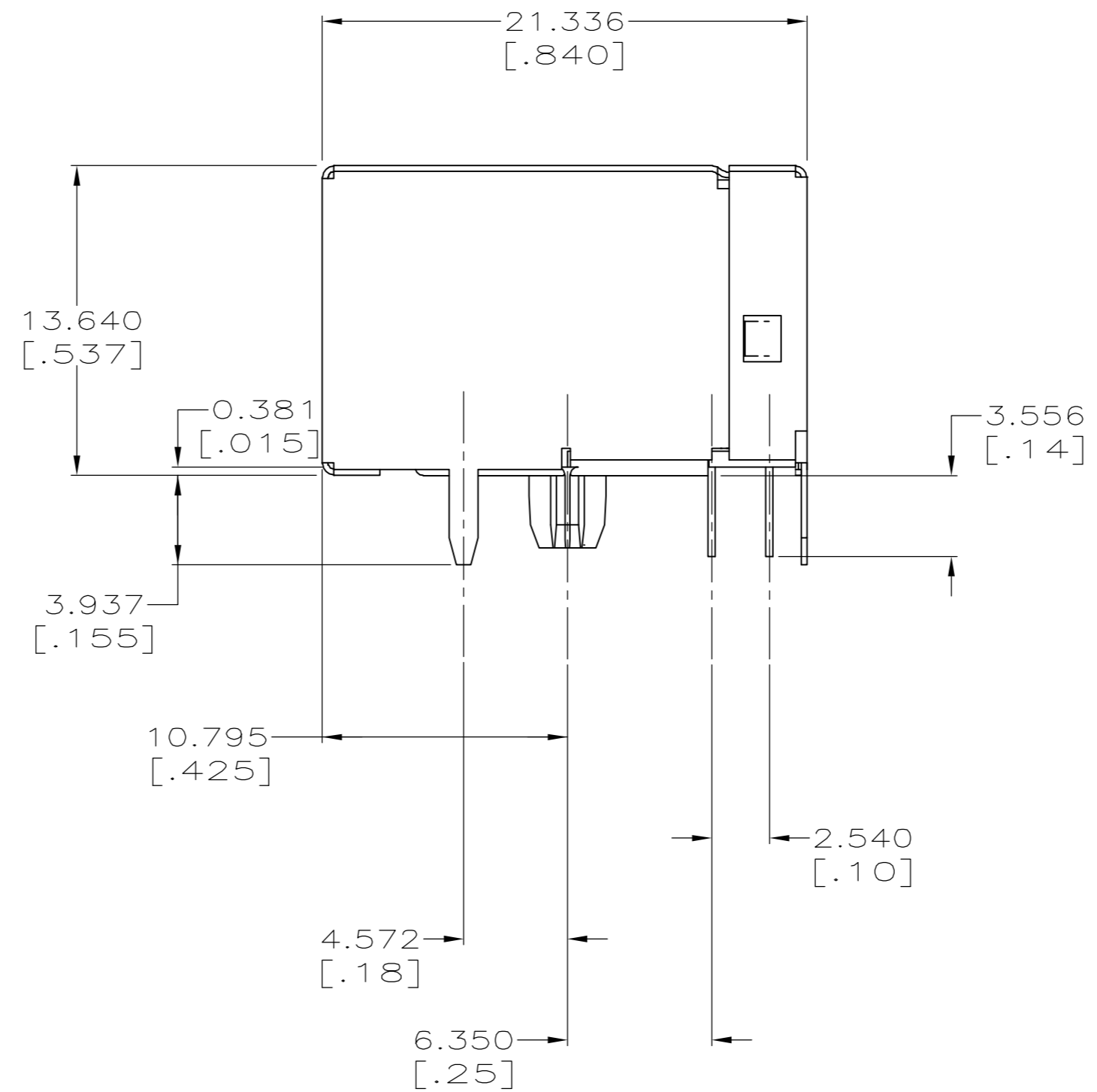
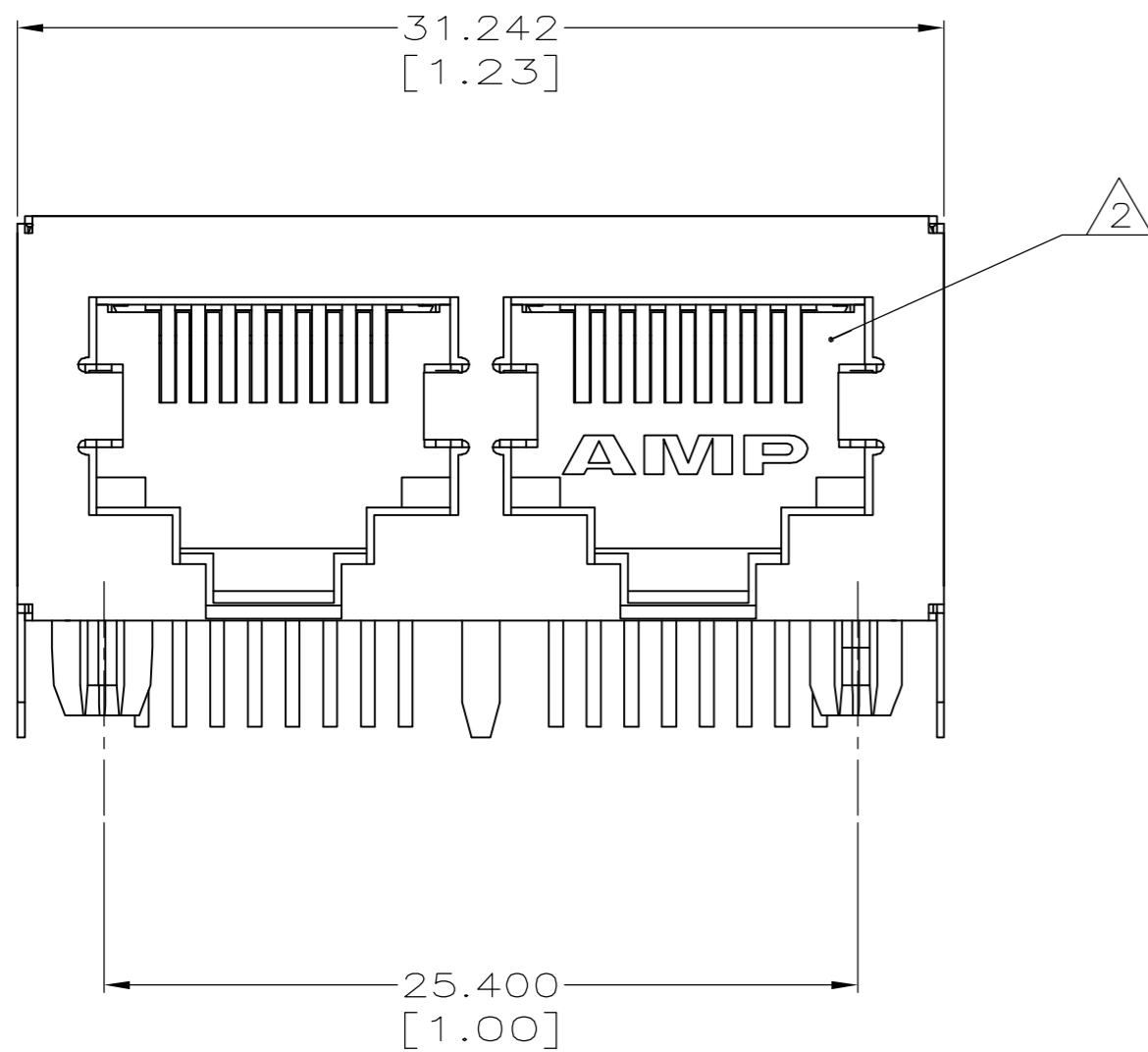


THIS DRAWING IS UNPUBLISHED. RELEASED FOR PUBLICATION
 © COPYRIGHT BY TYCO ELECTRONICS CORPORATION. ALL RIGHTS RESERVED.

LOC	DIST	REVISIONS					
AA	00	P	LTR	DESCRIPTION	DATE	DWN	APVD
		A		REV PER EC 0S11-0201-04	15JUN2005	GA	SF



SUGGESTED PC BOARD LAYOUT
 COMPONENT SIDE
 SEE APPLICATION SPECIFICATION

1. MATERIAL: HOUSING - PCT POLYESTER, BLACK IR COMPATIBLE, UL 94V-0.
 TERMINALS - 0.33 [.013] THICK PHOS BRONZE PLATED WITH 1.27µm [.000050] THICK HARD GOLD IN LOCALIZED AREA AND 3.81µm [.000150] THICK MATTE TIN IN SOLDER AREA OVER 1.27µm [.000050] THICK NICKEL UNDERPLATE.
 SHIELD: .254mm [.010] THICK COPPER ALLOY PLATED WITH 2.03µm [.000080] MINIMUM BRIGHT TIN OVER 1.27µm [.000050] MINIMUM NICKEL.
2. JACK CAVITY CONFORMS TO FCC RULES AND REGULATIONS, PART 68 SUBPART F.
3. SPECIFIED.
 ALL DIMENSIONS ARE NOMINAL UNLESS OTHERWISE

1	PRINTED CIRCUIT BOARD GROUND SHIELD	5557570-1
REAR PCB GROUND TABS	DESCRIPTION	PART NUMBER

THIS DRAWING IS A CONTROLLED DOCUMENT.		DWN G. ATTADIA - DOCK5 15JUN2005	Tyco Electronics Corporation Harrisburg, PA 17105-3608	
DIMENSIONS: MM		CHK J. WESTMAN 15JUN2005	NAME	
TOLERANCES UNLESS OTHERWISE SPECIFIED:		APVD S. FLICKINGER 15JUN2005	MODULAR JACK ASSEMBLY, 2 PORT, 8 POSITION, RIGHT ANGLE, SHIELDED	
0 PLC ± -	1 PLC ± -	PRODUCT SPEC	SIZE	CAGE CODE
2 PLC ± 0.25 [.01]	3 PLC ± 0.13 [.005]	APPLICATION SPEC	A2	00779
4 PLC ± -	ANGLES ± -	114-2048	DRAWING NO	RESTRICTED TO
MATERIAL	FINISH	WEIGHT	SCALE	SHEET
		-	2:1	1 OF 1
CUSTOMER DRAWING			REV	A